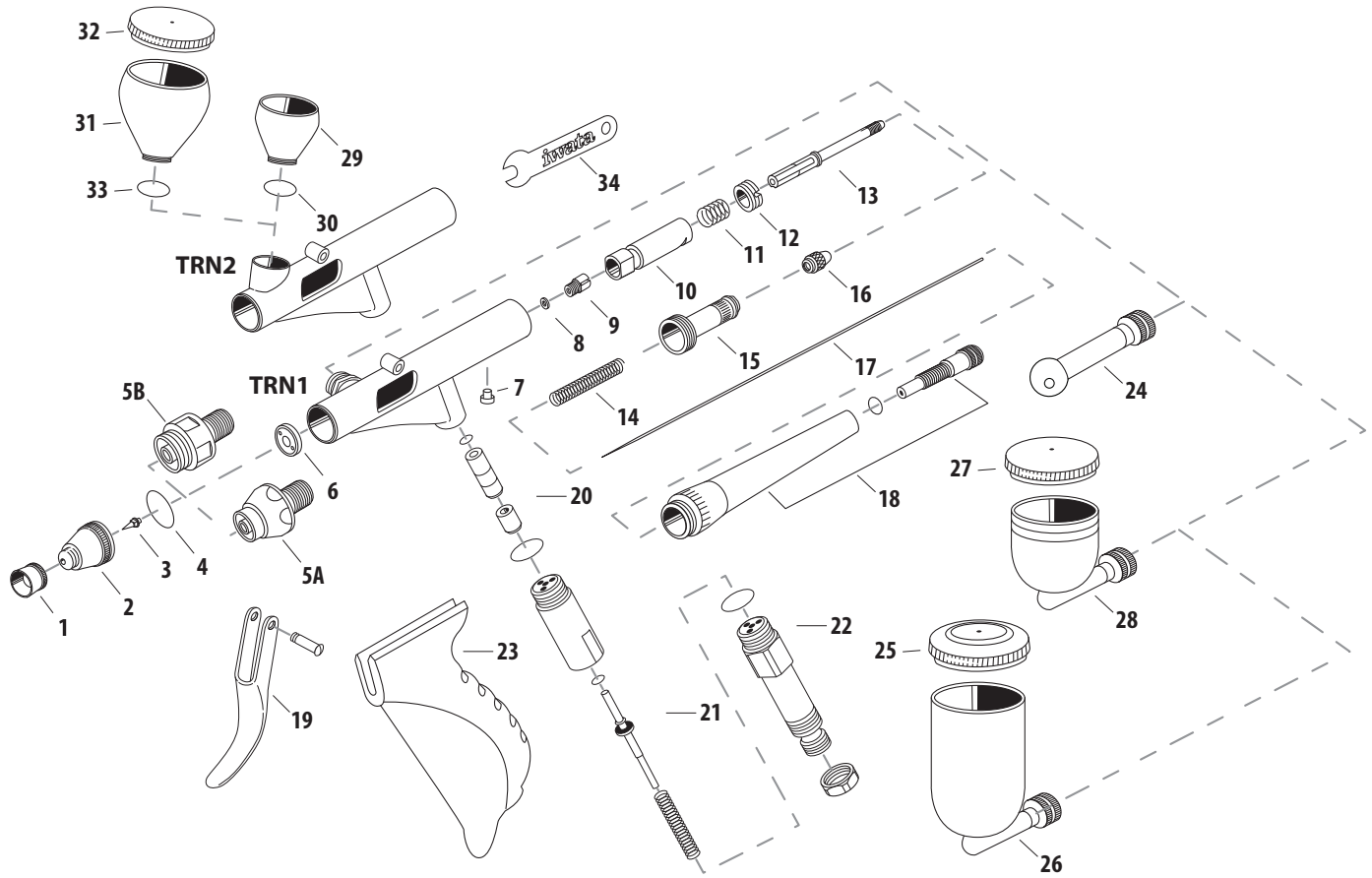


# NEO SERIES FOR IWATA - TRN1 AND TRN2 TRIGGER



| #  | ITEM DESCRIPTION      | PRICE CODE   | ITEM #  | TRN2 N 5000 | TRN1 N 5500 | ALSO FITS |
|----|-----------------------|--------------|---------|-------------|-------------|-----------|
| 1  | Needle Cap            | A            | N 110 2 | ■           | ■           |           |
| 2  | Nozzle Cap            | 0.35 mm<br>A | N 140 3 | opt         | ■           |           |
|    |                       | 0.50 mm<br>A | N 140 4 | ■           | opt         |           |
| 3  | Nozzle                | 0.35 mm<br>C | N 080 3 | opt         | ■           |           |
|    |                       | 0.50 mm<br>C | N 080 4 | ■           | opt         |           |
| 4  | Nozzle Cap O-Ring     | A            | N 150 3 | opt         | ■           |           |
|    |                       | A            | N 150 4 | ■           | opt         |           |
| 5A | Head Base             | A            | N 135 3 | x           | ■           |           |
| 5B | Head Base             | A            | N 135 4 | ■           | x           |           |
| 6  | Head Base O-Ring      | A            | N 150 5 | ■           | ■           |           |
| 7  | Main Body Ring Screw  | A            | N 313 2 | ■           | ■           |           |
| 8  | Needle Packing O-Ring | A            | N 150 7 | ■           | ■           |           |
| 9  | Needle Packing Screw  | A            | N 125 2 | ■           | ■           |           |
| 10 | Slide Cam             | A            | N 130 1 | ■           | ■           |           |
| 11 | Spring Side Cam       | A            | N 130 2 | ■           | ■           |           |
| 12 | Main Body Ring        | A            | N 131 1 | ■           | ■           |           |
| 13 | Needle Chucking Guide | A            | N 115 2 | ■           | ■           |           |
| 14 | Needle Spring         | A            | N 135 2 | ■           | ■           |           |
| 15 | Spring Guide          | A            | N 170 2 | ■           | ■           |           |
| 16 | Needle Chucking Nut   | A            | N 120 2 | ■           | ■           |           |

| #  | ITEM DESCRIPTION           | PRICE CODE          | ITEM #  | TRN2 N 5000 | TRN1 N 5500 | ALSO FITS |
|----|----------------------------|---------------------|---------|-------------|-------------|-----------|
| 17 | Needle                     | 0.35 mm<br>A        | N 075 3 | opt         | ■           |           |
|    |                            | 0.50 mm<br>A        | N 075 4 | ■           | opt         |           |
| 18 | Handle Cap Set             | D                   | N 090 2 | ■           | ■           |           |
| 19 | Trigger With Trigger Screw | A                   | N 100 2 | ■           | ■           |           |
| 20 | Air Piston Set             | A                   | N 110 1 | ■           | ■           |           |
| 21 | Valve Set                  | C                   | N 020 2 | ■           | ■           |           |
| 22 | Grip Mount/Extension       | D                   | N 160 1 | ■           | ■           |           |
| 23 | Grip                       | B                   | N 160 2 | ■           | ■           |           |
| 24 | Bottle Adapter             | C                   | N 040 1 | ■           | x           |           |
| 25 | Side Cup Lid               | 1/2 oz (15 cc)<br>A | N 095 2 | ■           | x           |           |
| 26 | Side Cup                   | 1/2 oz (15 cc)<br>A | N 070 6 | ■           | x           |           |
| 27 | Side Cup Lid               | 1/4 oz (7 cc)<br>A  | N 095 3 | ■           | x           |           |
| 28 | Side Cup                   | 1/4 oz (7 cc)<br>D  | N 070 5 | ■           | x           |           |
| 29 | Gravity Cup                | 1/10 oz (3 cc)<br>C | N 070 3 | x           | ■           |           |
| 30 | Gravity Cup O-Ring         | 1/10 oz (3 cc)<br>A | N 071 2 | x           | ■           |           |
| 31 | Gravity Cup                | 1/4 oz (7 cc)<br>D  | N 070 4 | x           | ■           |           |
| 32 | Gravity Cup Lid            | 1/4 oz (7 cc)<br>A  | N 095 1 | x           | ■           |           |
| 33 | Gravity Cup O-Ring         | 1/4 oz (7 cc)<br>A  | N 071 3 | x           | ■           |           |
| 34 | Spanner                    | A                   | N 165 1 | ■           | ■           |           |

■ = yes x = no opt = optional