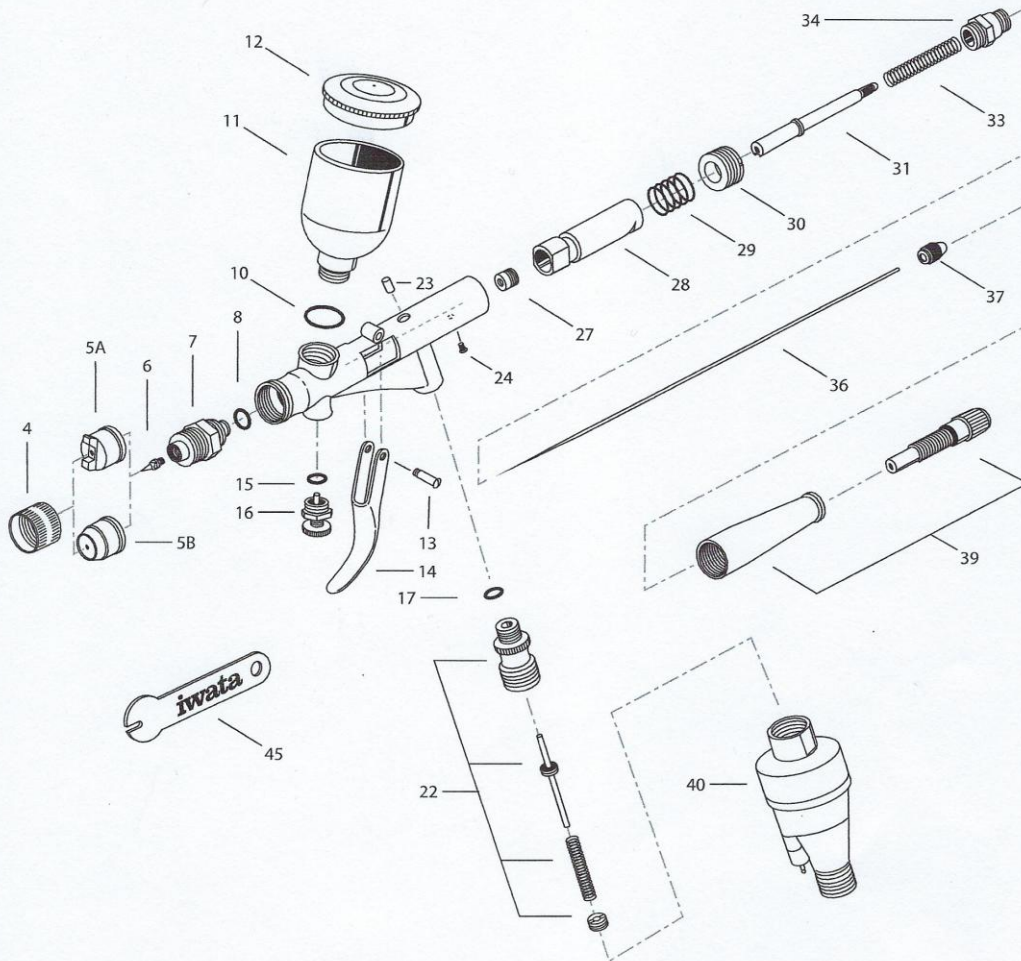


IWATA KUSTOM SERIES - HI-LINE TH



#	ITEM DESCRIPTION	PRICE CODE	ITEM #	K 9200	ALSO FITS
4	Cover Ring	C	1110 7	■	
5A	Air Cap (Fan Pattern)	G	1110 5	■	
5B	Air Cap (Round Pattern)	G	1110 6	■	
6	Fluid Nozzle 0.50 mm	G	1081 1	■	
7	Head Base	H	1082 1	■	
8	Packing Head Base	A	1083 1	■	
10	Packing Center Cup	A	1150 7	■	TR
11	Center Cup	H	1070 8	■	
12	Cup Lid	C	1718 2	■	
13	Trigger Screw	C	1714 2	■	TR
14	Trigger	I	1714 1	■	TR
15	Packing MAC Valve	A	1190 2	■	CM, CH
16	Micro Air Control Valve	D	1190 1	■	CM, CH
17	Packing Air Valve	A	1145 1	■	TR, CH
22	Air Valve Set	G	1712 1	■	TR

#	ITEM DESCRIPTION	PRICE CODE	ITEM #	K 9200	ALSO FITS
23	Valve Rod	C	1713 1	■	
24	Main Body Ring Screw	C	1731 2	■	TR
27	Needle Packing Set	D	1125 8	■	
28	Slide Cam	I	1730 1	■	TR
29	Slide Cam Spring	B	1730 2	■	TR
30	Main Body Ring	D	1731 1	■	TR
31	Needle Chucking Guide	F	1715 2	■	TR
33	Spring	A	1770 3	■	TR
34	Spring Guide	E	1170 7	■	TR
36	Fluid Needle 0.50 mm	C	1075 7	■	
37	Needle Chucking Nut	A	1120 1	■	TR, CM, CH, CS
39	Pre-Set Handle	G	1155 9	■	
40	Pistol-Grip Filter	N/A	FA 450	■	ALL
45	Spanner Wrench	A	1165 1	■	

CA PROP 65 CALIFORNIA PROP 65 WARNING: Certain products identified with this symbol and offered for sale in this catalog contain lead, a chemical known to the State of California to cause cancer, birth defects and other reproductive harm.

■ = yes X = no opt = optional