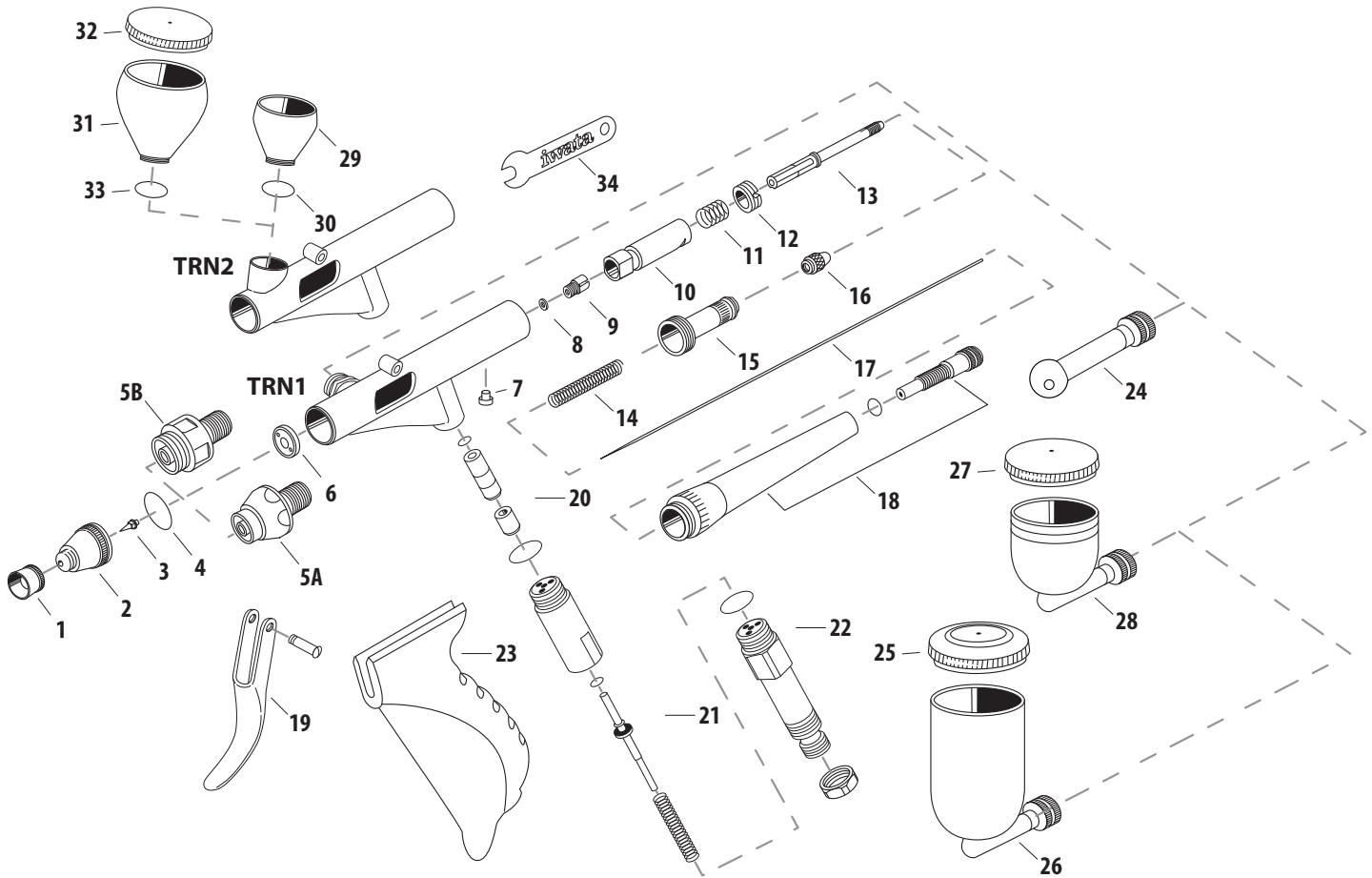


**NEO SERIES FOR IWATA - TRN1 AND TRN2 TRIGGER**



#	ITEM DESCRIPTION	PRICE CODE	ITEM #	TRN2 N 5000	TRN1 N 5500	ALSO FITS
1	Needle Cap	A	N 110 2	■	■	
2	Nozzle Cap	0.35 mm	A N 140 3	opt	■	
		0.50 mm	A N 140 4	■	opt	
3	Nozzle	0.35 mm	C N 080 3	opt	■	
		0.50 mm	C N 080 4	■	opt	
4	Nozzle Cap O-Ring		A N 150 3	opt	■	
			A N 150 4	■	opt	
5A	Head Base	A	N 135 3	x	■	
5B	Head Base	A	N 135 4	■	x	
6	Head Base O-Ring	A	N 150 5	■	■	
7	Main Body Ring Screw	A	N 313 2	■	■	
8	Needle Packing O-Ring	A	N 150 7	■	■	
9	Needle Packing Screw	A	N 125 2	■	■	
10	Slide Cam	A	N 130 1	■	■	
11	Spring Side Cam	A	N 130 2	■	■	
12	Main Body Ring	A	N 131 1	■	■	
13	Needle Chucking Guide	A	N 115 2	■	■	
14	Needle Spring	A	N 135 2	■	■	
15	Spring Guide	A	N 170 2	■	■	
16	Needle Chucking Nut	A	N 120 2	■	■	

#	ITEM DESCRIPTION	PRICE CODE	ITEM #	TRN2 N 5000	TRN1 N 5500	ALSO FITS
17	Needle	0.35 mm	A N 075 3	opt	■	
		0.50 mm	A N 075 4	■	opt	
18	Handle Cap Set	D	N 090 2	■	■	
19	Trigger With Trigger Screw	A	N 100 2	■	■	
20	Air Piston Set	A	N 110 1	■	■	
21	Valve Set	C	N 020 2	■	■	
22	Grip Mount/Extension	D	N 160 1	■	■	
23	Grip	B	N 160 2	■	■	
24	Bottle Adapter	C	N 040 1	■	x	
25	Side Cup Lid	1/2 oz (15 cc)	A N 095 2	■	x	
26	Side Cup	1/2 oz (15 cc)	A N 070 6	■	x	
27	Side Cup Lid	1/4 oz (7 cc)	A N 095 3	■	x	
28	Side Cup	1/4 oz (7 cc)	D N 070 5	■	x	
29	Gravity Cup	1/10 oz (3 cc)	C N 070 3	x	■	
30	Gravity Cup O-Ring	1/10 oz (3 cc)	A N 071 2	x	■	
31	Gravity Cup	1/4 oz (7 cc)	D N 070 4	x	■	
32	Gravity Cup Lid	1/4 oz (7 cc)	A N 095 1	x	■	
33	Gravity Cup O-Ring	1/4 oz (7 cc)	A N 071 3	x	■	
34	Spanner	A	N 165 1	■	■	

■ = yes x = no opt = optional

