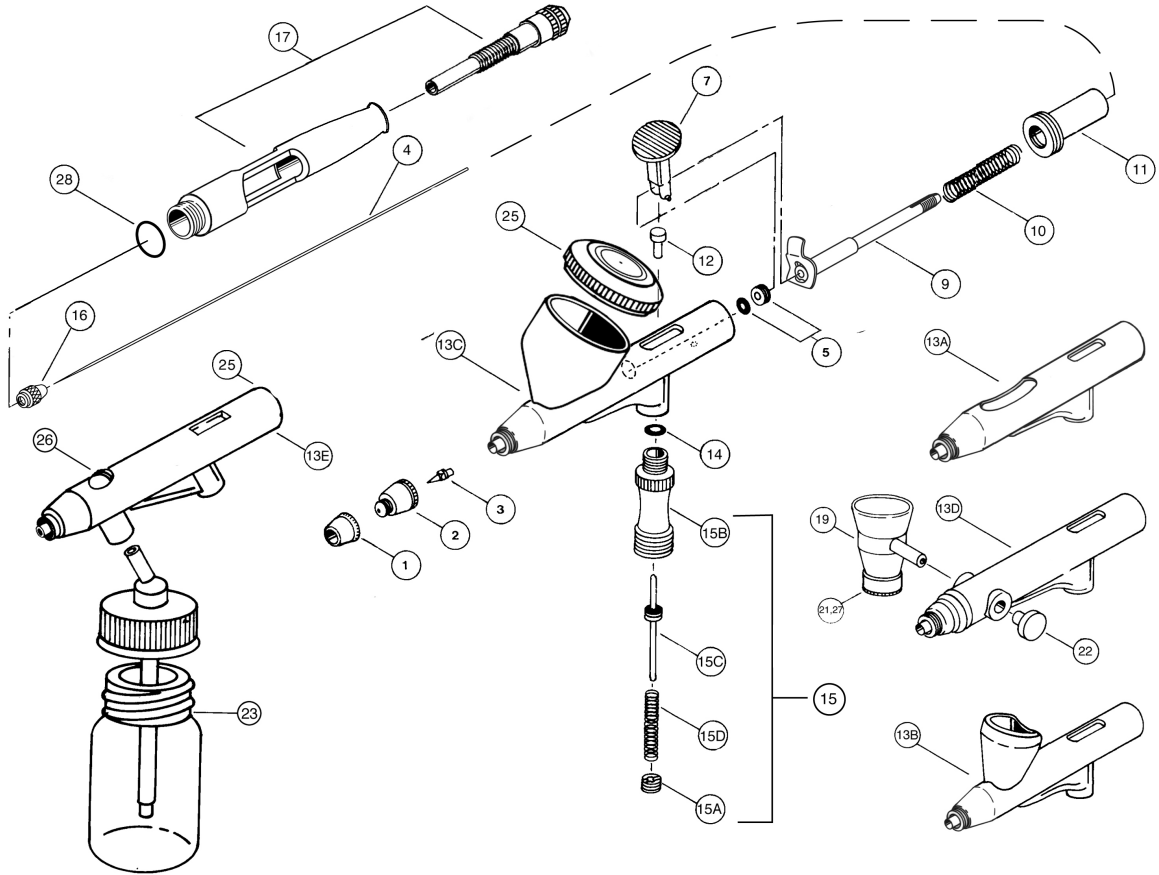


**IWATA HIGH PERFORMANCE Plus - A, B, SB, C, BC, BC2 PARTS**



#	ITEM DESCRIPTION	PRICE CODE	ITEM #	HP A+	HP B+	HP SB+	HP C+	HP BC+	also fits
1	Needle Cap	B	I 110 1	1	1	1			HP/HP
		B	I 110 2				1	1	HP/HP
2	Nozzle Cap 0.2mm	D	I 140 1	1	1	1			HP/HP
	0.3mm	D	I 140 3				1	1	HP/HP
3	Fluid Nozzle 0.2 mm	G	I 080 7	1	1	1			HI
	0.3 mm	G	I 080 8				1	1	HI
4	Fluid Needle 0.2 mm	C	I 075 1	1	1	1			HP/HP
	0.3 mm	C	I 075 3				1	1	HP/HP
5	Needle Packing Screw w/Teflon™ packing	B	I 125 7	1	1	1			HP
		B	I 725 1				1	1	REV
7	Main Lever	D	I 100 1	1	1	1			HP
		D	I 100 2				1	1	HP/HP
9	Main Lever/Piston Needle Chucking Guide w/auxiliary lever	G	I 100 3					1	HP
		C	I 115 7	1	1	1			HP/HP
		C	I 715 1				1	1	HI/REV
10	Needle Spring	A	I 135 2	1	1	1			HP/HP/ECL
		A	I 135 3				1	1	HP
11	Spring Guide	C	I 170 6	1	1	1			HP/HP
		C	I 770 1				1	1	HI/REV
12	Valve Piston	A	I 175 1	1	1	1			HP/HP
13	Body			1					
					1				
						1			
14	Packing Air Piston (O-ring)	A	I 145 1	1	1	1	1	1	HP/HP
15	Air Valve Set	G	I 030 1	1	1	1			HP/HP
		G	I 030 4				1	1	HP/HP
15A	Air Valve Guide	A	I 025 1	1	1	1	1	1	HP/HP
15B	Air Valve Body	D	I 020 1	1	1	1	1	1	HP/HP
15C	Air Valve	B	I 015 1	1	1	1			HP/HP
		B	I 015 4				1	1	HP/HP
15D	Air Valve Spring	A	I 035 1	1	1	1	1	1	HP/HP
16	Needle Chucking Nut	A	I 120 1	1	1	1	1	1	HP/HP
17	Pre-Set Handle Set	G	I 155 5	1	1	1			HP
		G	I 155 6				1	1	HP/HP

#	ITEM DESCRIPTION	PRICE CODE	ITEM #	HP A+	HP B+	HP SB+	HP C+	HP BC+	also fits
19	Fluid Cup								
	side cup 1/8 oz.	G	I 070 3			1			CM/HP/ECL
	side cup w/lid 1/4 oz.	G	I 070 4			Opt			CM/HP/ECL
	gravity cup w/lid 1/2 oz.		I 070 6			Opt			CM/HP/ECL
21	Lid lower 1/8, 1/4 oz.	B	I 095 6			1			CM/HP/ECL
22	Blanking Cover	A	I 045 2			1			CM/HP/ECL
23	Glass Bottles 3/4 oz.	G	I 405 2					1	HP
		G	I 420 2					Opt	HP
		C	I 618 1				1		HP/HP
25	Fluid Cup Lid	C	I 095 7			Opt			CM/HP/ECL
26	Blanking Screw	B	I 045 1					1	HP
27	Packing Lower Lid (gasket)	A	I 150 5			1			CM/HP/ECL
	Spanner	A	I 165 1	1	1	1	1	1	HP/HP
	Conversion Kit (Converts 0.3mm HP- C & HP- BC to 0.4mm size nozzle - 4 piece conversion)	I	I 195 1				1	1	
	Crown Cap	D	I 105 0	Opt	Opt	Opt	Opt	Opt	
	Quick Fit Set (quick disconnect that screws onto the airhose and an adaptor that screws onto the airbrush)	I	I 160 3	Opt	Opt	Opt	Opt	Opt	
	Quick Fit Adaptor (adaptor that screws onto the airbrush)	I	I 160 4	Opt	Opt	Opt	Opt	Opt	
	Adaptor (Iwata airbrushes to Paasche airhose)	J	J 001	Opt	Opt	Opt	Opt	Opt	
	Adaptor (Iwata airbrushes to T & C/Badger airhoses)	J	J 002	Opt	Opt	Opt	Opt	Opt	
	Side Feed Bottles								
	side feed bottle 1oz-clear		I 450 1S			Opt			CM/HP/ECL
	side feed bottle 2oz-clear		I 450 2S			Opt			CM/HP/ECL
	side feed bottle 2oz-HS		I 470 1S			Opt			CM/HP/ECL
	side feed bottle 2oz-HS		I 470 2S			Opt			CM/HP/ECL

